

DEESEA
Power & Light[®]



IP Multi SeaCam[®]



FEATURES

Low Latency IP Streaming

Full HD Resolution

Onboard Recording

Power Over Ethernet

ONVIF Compatible

105° HFOV dome port and 72° HFOV flat port

Up to 11,000 m Depth Rating

T: (858) 576-1261
F: (858) 576-0219

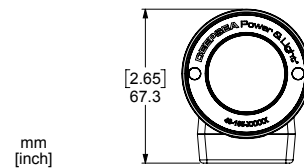
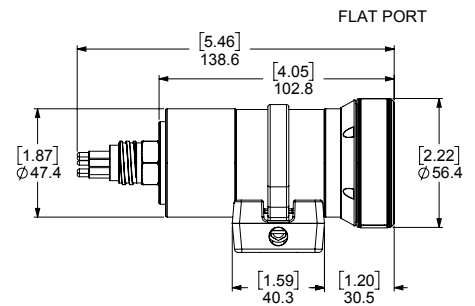
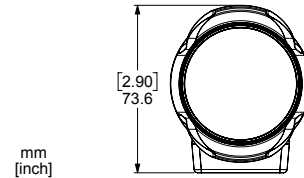
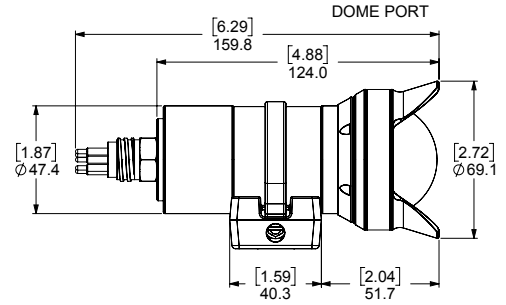
4033 Ruffin Road
San Diego, CA
92123- 1817 USA

www.deepsea.com
sales@deepsea.com



IP Multi SeaCam®

	IPMSC-3070 Flat Port	IPMSC-3105 Dome Port
Optical Specifications		
Lens	2.7 mm, f/2.9	
Focus	Fixed, 100 mm~infinity	
FOV in Water	72° H x 42° V	105° H x 60° V
Video Specifications		
Image Sensor	1/2.8" CMOS	
Sensor Resolution	1920 x 1080	
Measured Resolution	TBD	
Faceplate Illumination	0.095 Lux [50 IRE]	
Signal to Noise	TBD	
Interface Specifications		
Supported Protocols	TCP/IP, UDP/IP, RTP, RTSP, SNTP, HTTP, FTP, DHCP, DNS, UPnP, ONVIF	
Interface	Browser	
Video Compression	h.264, MJPEG	
Bit Rate Control	VBR, CBR ¹	
Bit Rate	h.264: 1~20 Mbps, 10 Mbps ¹ MJPEG: 1~50 Mbps, 50 Mbps ¹	
Latency²	h.264: 237 ms MJPEG: N/A	
Benchmark Latency³	h.264: 488 ms MJPEG: 432 ms	
Max Frame Rate	30 FPS	
Integrated Recording	HD MPEG Video, HD JPEG Stills	
Onboard Memory	256 GB (SDHC)	
Configuration Settings	Browser (Chrome, Firefox, IE), ONVIF Profile S	
Environmental Specifications		
Depth Rating	4,000 m	6,000 m Optional 11,000 m ⁴
Operating Temp	TBD	
Storage Temp	-30° C to 70° C [-22° F to 158° F]	
Electrical Specifications		
Voltage	10~36 VDC, Power Over Ethernet (IEEE802.3af)	
Power	2W max	
Mechanical Specifications		
Housing	Titanium	
Port	Sapphire	Borosilicate Glass
Outer Diameter	56.4 mm [2.22 in.]	69.1 mm [2.72 in.]
Overall Length	102.8 mm [4.05 in.]	124 mm [4.88 in.]
Weight in Air	0.51 kg [1.1 lb]	TBD
Weight in Water	0.30 kg [0.7 lb]	TBD
Connector		
Default	SEACON MCBH8-NET Please contact sales for more options.	



¹ Factory default selection.

² Minimum latency measured using PC based software decoder, optimized network port priority.

³ Benchmark latency streamed with VLC, 50 ms buffer.

⁴ Please contact sales for 11,000 m depth rating connector options.