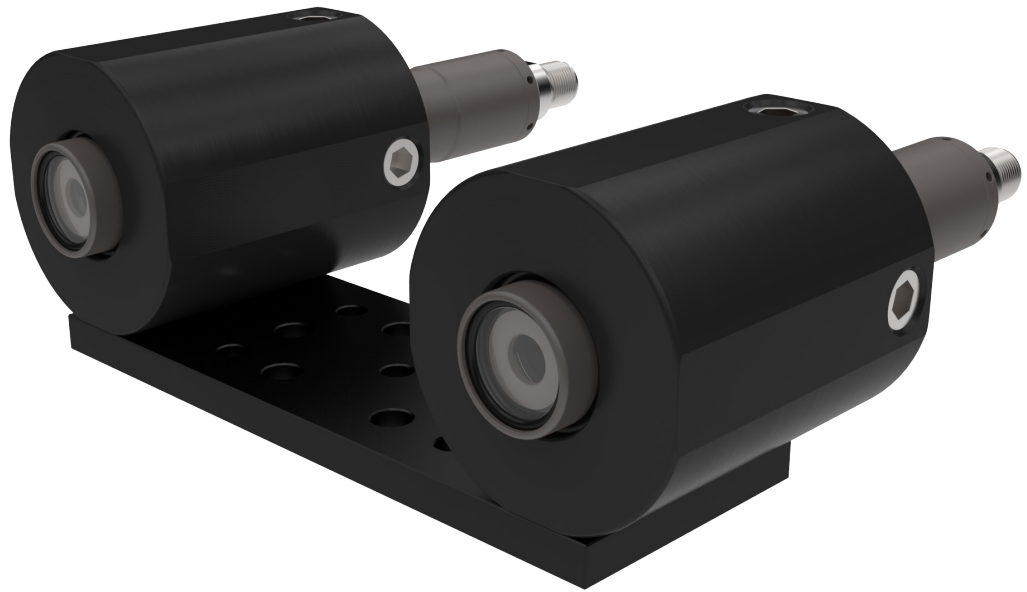


DEEPSEA
Power & Light[®]



Micro SeaLaser[®] Dual Bracket



FEATURES

Dual mounting bracket

Creates and maintains parallel beams

Excellent for scaling and measurement

Accommodates most SeaCam[®] cameras

T: (858) 576-1261
F: (858) 576-0219

4033 Ruffin Road
San Diego, CA
92123- 1817 USA

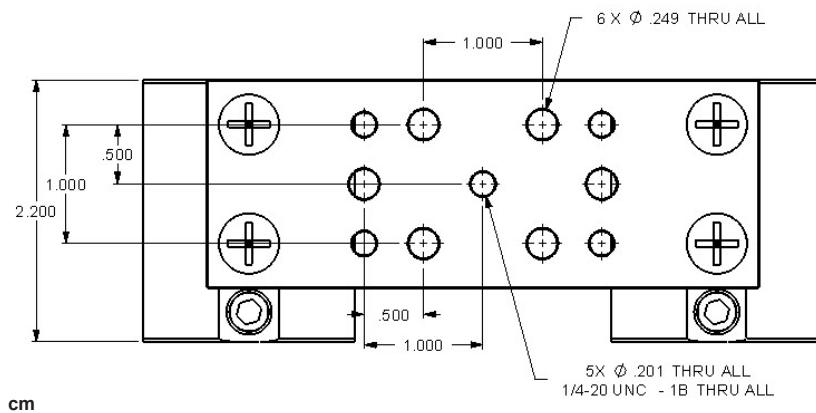
www.deepsea.com
sales@deepsea.com



Micro SeaLaser® Dual Bracket

Micro SeaLaser Dual Bracket	
Mechanical Specifications	
Housing	Acetal Plastic (Delrin®)
Length	Without SeaLaser modules: 2.20 cm [0.87 in.] With two SeaLaser modules: 12.03 cm [4.73 in.]
Height	2.03 cm [0.79 in.]
Width	5.72 cm [2.25 in.]
Weight in Air Without SeaLaser modules	306 g [0.68 lbs]
Weight in Water Without SeaLaser modules	141 g [0.31 lbs]
Distance Between Beams	10 cm [3.94 in.]

Top



Front

