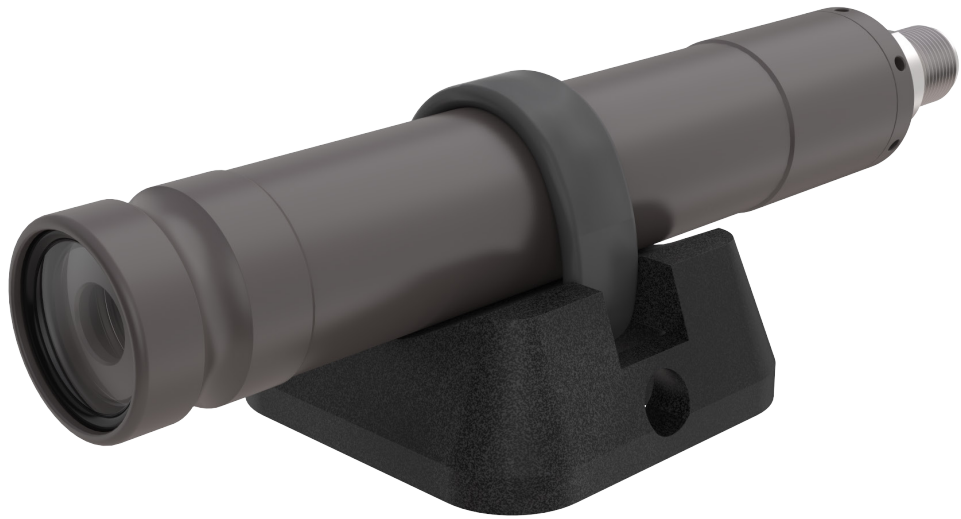


DEEPSEA
Power & Light®



Micro SeaLaser®



FEATURES

<5 mW red or green laser, dot or line

Compact titanium housing

6,000 m depth rated

Dual mounting bracket available

Creates and maintains parallel beams

Excellent for scaling and measurement

Accommodates most SeaCam® cameras

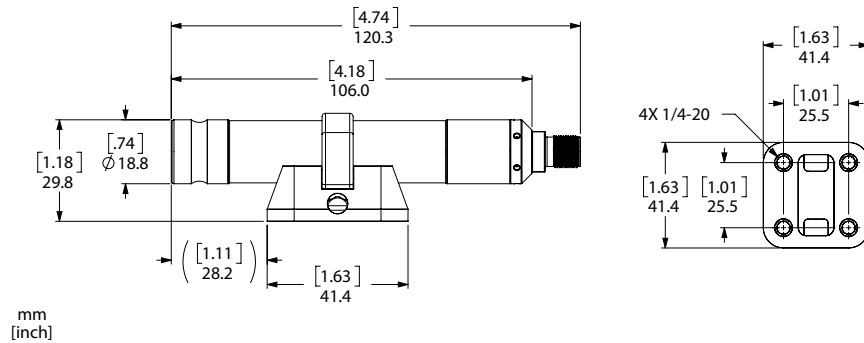
T: (858) 576-1261
F: (858) 576-0219

4033 Ruffin Road
San Diego, CA
92123- 1817 USA

www.deepsea.com
sales@deepsea.com



Micro SeaLaser®



	Red Laser	Green Laser
Laser		
Type	Continuous Wave Semi-conductor laser diode Class III-A	
Beam Diameter	1.8 mm x 0.5 mm	< 2 mm
Wavelength	635 nm	532 nm
Beam Divergence	0.09 mRadians x 0.19 mRadians	< 1.2 mRadians
Beam Power	<5mW	
Beam Type	Dot or Line	
Environmental Specifications		
Depth Rating	6,000 m	
Electrical Specifications		
Voltage	7~30 VDC	
Current	47 mA	
Mechanical Specifications		
Housing	Titanium 6AL-4V	
Port	Sapphire, anti-reflective coated	
Outer Diameter	18.8 mm [0.74 in]	
Overall Length	120.3 mm [4.74 in]	
Weight in Air	75 g [2 oz]	
Weight in Water	40 g [1 oz]	
Connector		
Default	Impulse Sub-Miniature Connector IE55 (Titanium), 2-pin	
Pinout	1 = Ground 2 = Power	
Accessory		
Accessory	Dual Micro SeaLaser Mount	