

DEEPSEA
Power & Light®



Multi SeaLite® Family

The Workhorse of All Halogen Lights



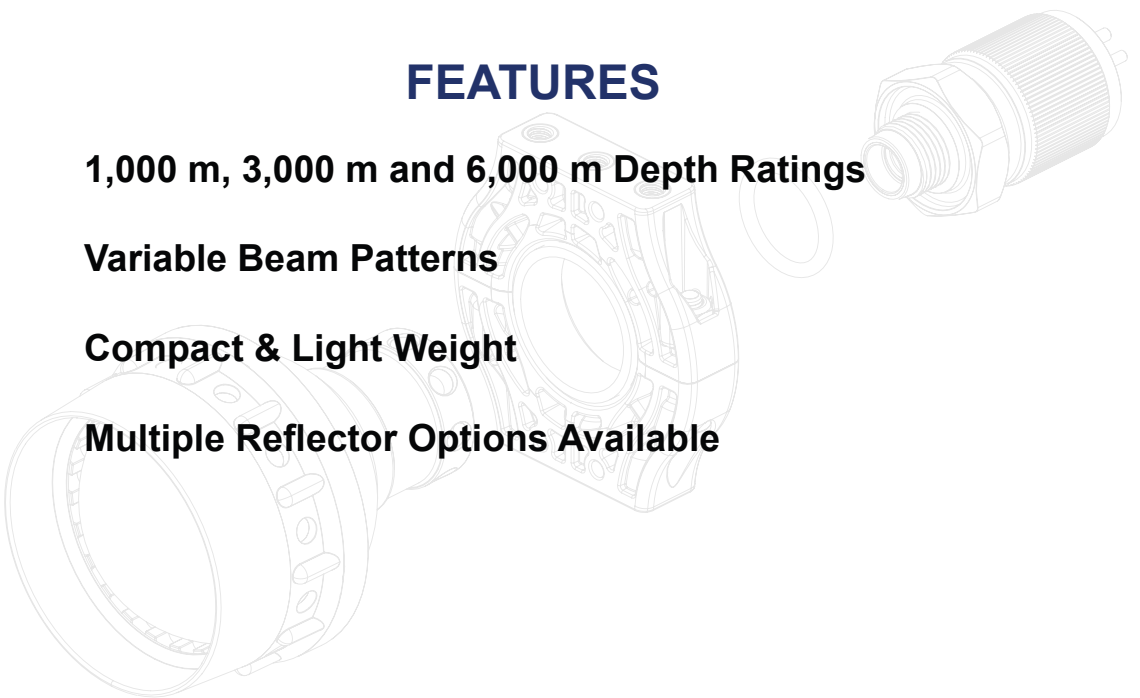
FEATURES

1,000 m, 3,000 m and 6,000 m Depth Ratings

Variable Beam Patterns

Compact & Light Weight

Multiple Reflector Options Available



T: (858) 576-1261
F: (858) 576-0219

4033 Ruffin Road
San Diego, CA
92123- 1817 USA

www.deepsea.com
sales@deepsea.com



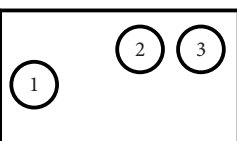
Multi SeaLite® Family

	Multi SeaLite®	Midwater Multi Sealite®	Deep Multi SeaLite®
Mechanical Specifications			
Housing Material	6061 T-6 Aluminum or Stainless Steel	Hard Anodized 6061 Aluminum or Titanium	
Length w/o Connector	105.7 mm [4.16 in]		
Diameter	83.8 mm [3.30 in]		
Dome	Clear Tempered Borosilicate		
Weight in Air	Al: 519 g [18 oz.] SS: 952 g [34 oz.]	519 g [18 oz.]	
Weight in Water	Al: 170 g [6 oz.] SS: 624 g [22 oz.]	170 g [6 oz.]	
Environmental Specifications			
Depth Rating	1,000 m [3250 ft]	3,000 m [9,843 ft]	6,000 m [20,000 ft]
Optical Specifications			
Reflectors	Proprietary Design Spot, Medium or Flood		
Beam Pattern	Flood: 60° Conical Medium: 40° Conical Spot: 15° Conical		
Connector			
Default	SEACON BH3MP Other connectors available		

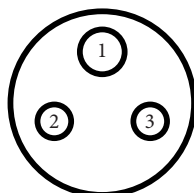
Replacement Lamps						
Model Number	Part Number	Volts	Watts	Hours	Color Temp	Lumens ²
BP-12/20 ¹	460-00016	12	20	2000	2850K	350
BP-12/50 ¹	460-00019	12	50	2000	3000K	2,200
BP-12/100 ¹	460-00027	12	100	1000	3100K	2,200
BP-24/100 ¹	460-00032	24	100	2000	3000K	1,800
BP-24/150 ¹	460-00035	24	150	70	3400K	5,000
BP-24/250 ¹	460-00038	24	250	300	3400K	8,400
BP-24/300 ¹	460-00041	24	300	50	3400K	10,200
MC-120/100	460-00053	120	100	1500	2700K	1,600
MC-120/150	460-00055	120	150	1500	2850K	2,400
MC-120/250	460-00059	120	250	2000	2900K	4,750
MC-120/325	460-00061	120	325	500	3100K	7,800
MC-120/500 ³	460-00064	120	500	2000	2950K	9,930

Model Number	Part Number	Description
MC-LV-LA ⁴	710-001-001	Mini-Can low voltage lamp adapter

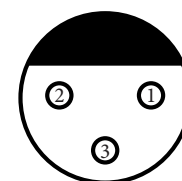
¹ These bi-pin lamps replace the old style mini-can low voltage lamps but require the low voltage lamp adapter.
² Lumen measurements are based off of the Lamp Manufacturer's Specifications.
³ Only available with the Multi SeaLite.
⁴ Required for use with low voltage lamps.



LPBH3MP
 (High Voltage AC/DC)
 1 = Hot
 2 = Neutral
 3 = Ground Shell

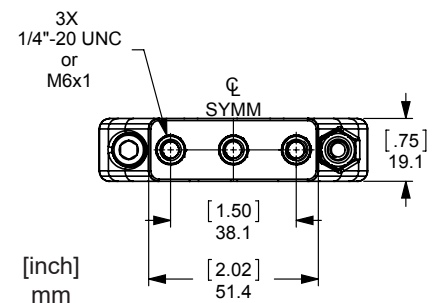
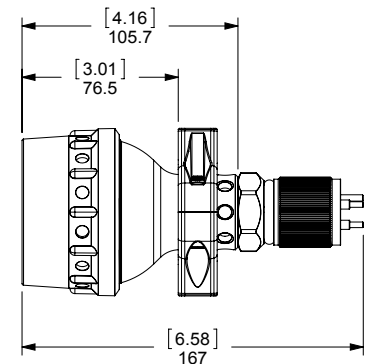
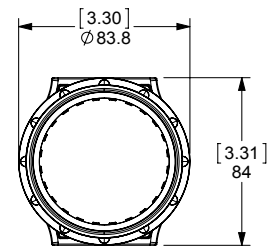


XSG3-BCL
 (High Voltage AC/DC)
 1 = Ground Shell
 2 = Neutral
 3 = Hot



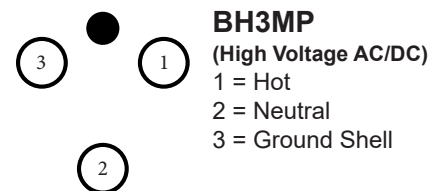
5507-1503
 (High Voltage AC/DC)
 1 = Hot
 2 = Neutral
 3 = Ground Shell

Dimensions



Standard Connectors

Other Connectors Available



BH3MP
 (High Voltage AC/DC)
 1 = Hot
 2 = Neutral
 3 = Ground Shell