

DEEPSEA
Power & Light®



SeaLaser® 100 Dual Bracket



FEATURES

Dual mounting bracket

Creates and maintains parallel beams

Excellent for scaling and measurement

Accommodates most SeaCam® cameras

T: (858) 576-1261
F: (858) 576-0219

4033 Ruffin Road
San Diego, CA
92123- 1817 USA

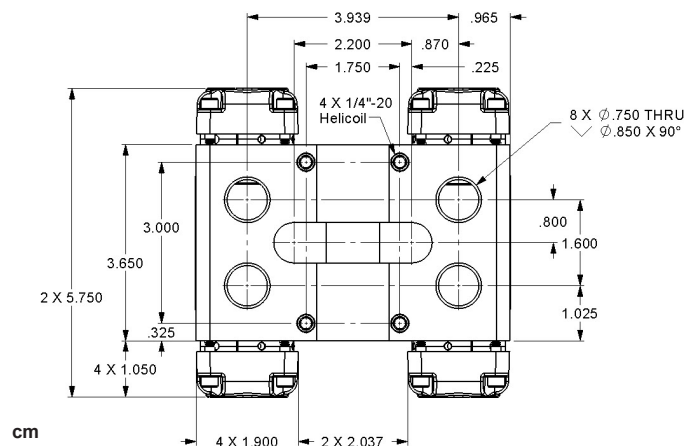
www.deepsea.com
sales@deepsea.com



SeaLaser® 100 Dual Bracket

SeaLaser 100 Dual Bracket	
Mechanical Specifications	
Housing	Acetal Plastic (Delrin®)
Length	Without SeaLaser modules: 14.6 cm [5.75 in.] With two SeaLaser modules: 15.8 cm [6.21 in.]
Height	4.8 cm [1.90 in.]
Width	14.8 cm [5.84 in.]
Weight in Air Without SeaLaser modules	840 g [1.85 lb]
Weight in Water Without SeaLaser modules	320 g [0.71 lb]
Distance Between Beams	10 cm [3.94 in.]

Top



Front

