



SmartSight MV1



Integrating the best-in-class Sony Pregius global shutter sensors and GigE Vision modules, the SmartSight MV1 camera is ideal for subsea machine vision applications. Its low power consumption and integration flexibility are well suited for autonomous vehicles while the compact size can fit anywhere. Multiple sensor and lens options allow the camera to be tailored to nearly any imaging application.

Specifications

	SSMV1-D (Dome Port)	SSMV1-F (Flat Port)
<i>Lens</i>	2.7mm F/2.9, 2.3mm F/2.8	6mm F/2.8, 2.7mm F/2.9
<i>Image Sensor</i>	0.4MP, 1.6MP, 2.3MP, 3.2MP, 5.0MP Global Shutter	
<i>Interface</i>	1,000 BaseT Ethernet	
<i>Discrete Inputs/Outputs</i>	Isolated: 1 in, 1 out Non-isolated: 2 bi-directional	
<i>GigE Standard</i>	GigE Vision v2.0	
<i>Max Depth Rating</i>	6,000 m	
<i>Operational Temp</i>	-10 to 40°C	
<i>Storage Temp</i>	-30 to 60°C	
<i>Power</i>	3.1W (PoE, 2.5W 12 V External)	
<i>Housing</i>	Titanium, Borosilicate Dome	Titanium, Borosilicate Flat Port
<i>Weight in Air</i>	TBD	
<i>Weight in Water</i>	TBD	
<i>Default Connector</i>	SUBCONN DBH13M	

Key Features

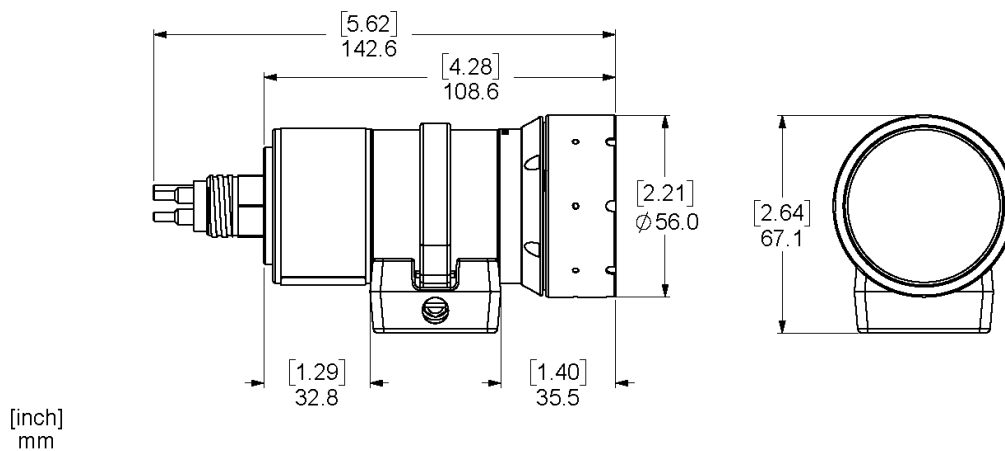
- 0.4 MP, 1.6 MP, 2.3 MP, 3.2 MP, 5.0 MP sensor options available
- Multiple lens options
- GigE Vision standards compliant
- Supports PoE and discrete DC power input
- Compact size
- Available SDK
- Low power
- Digital I/O for frame synchronization, strobe light triggering

Field of View Reference

Sensor Option	6mm/Flat	2.7mm/Flat	2.7/Dome	2.3mm/Dome
0.4 MP	32°	67°	101°	117°
1.6 MP	32°	67°	101°	117°
2.3 MP	40°	80°	129°	125°
3.2 MP	43°	83°	137°	-
5.0 MP	41°	81°	131°	-

Dimensions

Flat Port



Dome Port

