



IP Multi SeaCam®



The IP Multi SeaCam is a compact, fixed-focus solution for subsea monitoring and tooling applications in Ethernet based installations. Part of the HD Multi SeaCam family, this subsea camera provides low streaming latency over common real-time IP streaming protocols, and supports configuration through a webpage base interface or through ONVIF Profile S compatible video management systems. The IP Multi SeaCam is available with either a 105° HVOF titanium dome port or 72° HFOV sapphire flat port.

Specifications

| | HDMSC-4070-IP | HDMSC-4105-IP |
|------------------------|--|---------------------|
| Lens | 2.7 mm, f/2.9 | |
| Focus | Fixed, 100 mm to infinity | |
| Field of View (Water) | 72° horizontal | 105° horizontal |
| Image Sensor | 1/2.8" CMOS | |
| Sensor Resolution | 1920 x 1080 | |
| Measured Resolution | TBD | |
| Faceplate Illumination | 0.95 Lux (50 IRE) | |
| Video Format | h.264, 1080/30p | |
| Transmit Type | Ethernet | |
| Recording Type | Video, timelapse | |
| Onboard Memory | 256 GB, up to 1 TB | |
| Max Depth Rating | 6 km | 6 km, 11 km option |
| Operating Temp | TBD | |
| Storage Temp | -30° C to 70° C [-22° F to 158° F] | |
| Power | 2 W max | |
| Voltage | 10~36 VDC, Power over Ethernet (IEEE802.3af) | |
| Port | Sapphire, flat port | Titanium, dome port |
| Weight in Air | | |
| Weight in Water | | |
| Default Connector | SEACON MCBH8-NET <i>Contact Sales for more options.</i> | |

Key Features



Full HD Resolution



72° HFOV (4070)
105° HFOV (4105)



Low Latency



Power Options



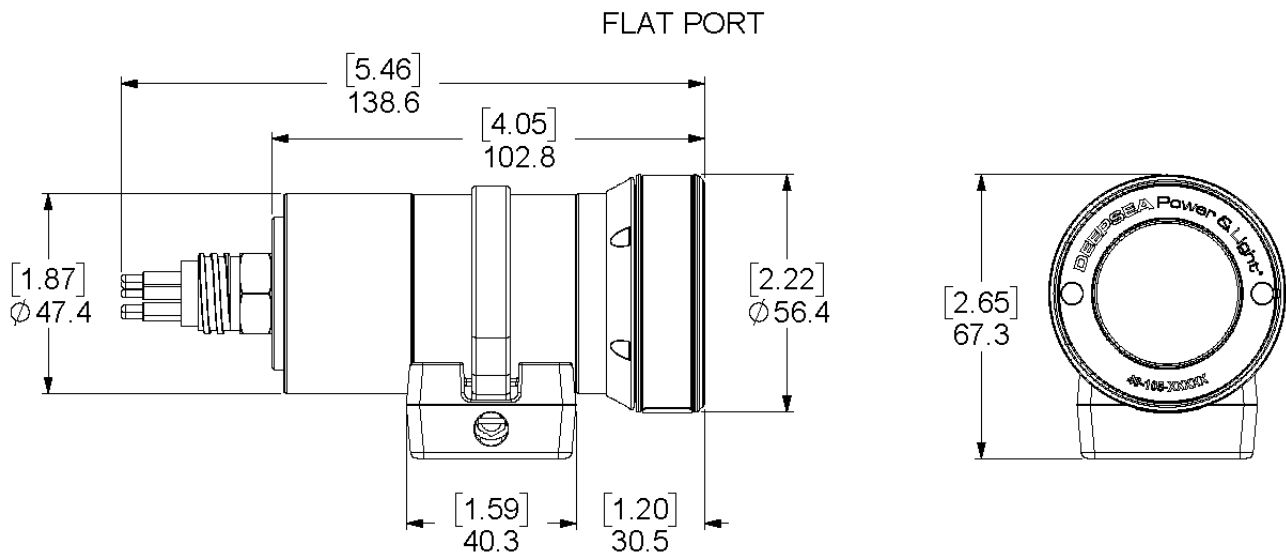
256 GB, up to 1 TB
Onboard Memory



6 km Depth
Rating, 11 km
Option (4105)

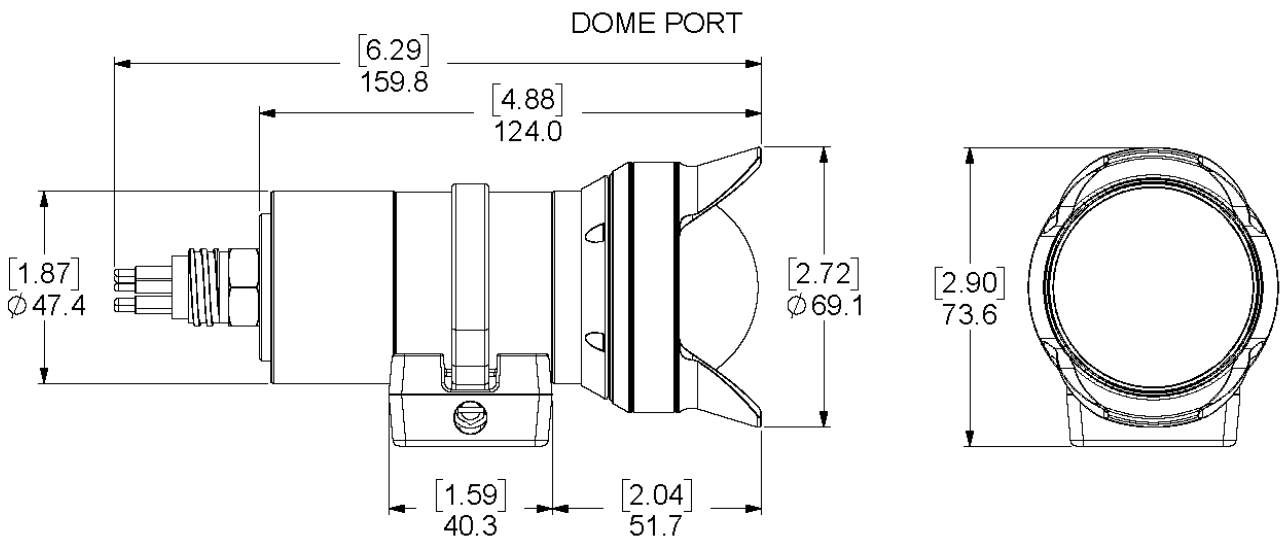
Dimensions

HDMSC-4070-IP



mm
[inch]

HDMSC-4105-IP



mm
[inch]