



HD Multi SeaCam®



The HD Multi SeaCam is a compact, fixed-focus solution for subsea monitoring and tooling applications in supporting HD-SDI video. This subsea camera provides the lowest latency option for operator-in-the-loop applications. An on-screen menu is accessible over either serial or tristate controls for fine tuning the camera settings. Several lens options are available for a range of narrow to wide fields of view. Designed to perform in hostile environments, the HD Multi SeaCam can operate down to 6 km with full ocean depth options available.

Specifications

HDMSC-	4040-CX/FX	4070-CX/FX	4085-CX/FX	4105-CX/FX	4125-CX/FX	4150-CX/FX
<i>Lens</i>	6mm, f/5.6	2.7 mm, f/2.9	1.97mm, f/3.0	2.7 mm, f/2.9	1.97mm, f/3.0	2.33mm, f/2.9
<i>Focus</i>	Fixed, 100 mm to infinity					
<i>Field of View (Water)</i>	40° H	72° H	85° H	105° H	125° H	150° H
<i>Image Sensor</i>	1/2.8" CMOS					
<i>Sensor Resolution</i>	1945 x 1097					
<i>Faceplate Illumination</i>	TBD	0.95 Lux	TBD	0.95 Lux	TBD	TBD
<i>Video Format</i>	1080p/30/25, 720p/60/50/30/25					
<i>Video Signal</i>	SMPTE-292 HD-SDI, 1.5Gbps over Coax or FleXlink®					
<i>Max Depth Rating</i>	6 km			6 km, 11 km option		
<i>Operating Temp</i>	-10° C to 50° C [14° F to 122° F]					
<i>Storage Temp</i>	-30° C to 70° C [-22° F to 158° F]					
<i>Power</i>	3 W max					
<i>Voltage</i>	10~36 VDC					
<i>Control Interface</i>	SeaSense™ Serial Protocol over RS-232 or RS485, Tristate OSD control pin (2x)					
<i>Housing</i>	Titanium, Sapphire flat port			Titanium, Glass dome port		
<i>Weight in Air</i>	0.65 kg [1.4 lbs.]			0.65 kg [1.4 lbs.]		
<i>Weight in Water</i>	0.44 kg [1.0 lbs.]			0.37 kg [0.84 lbs.]		
<i>Default Connector</i>	FleXlink: SubConn DBH8 Coax: SubConn HF75CXBH6M Contact Sales for more options					

Key Features



Full HD Resolution



HFOVs ranging from
40° HFOV (4040) to
150° HFOV (4150)



Lowest Latency



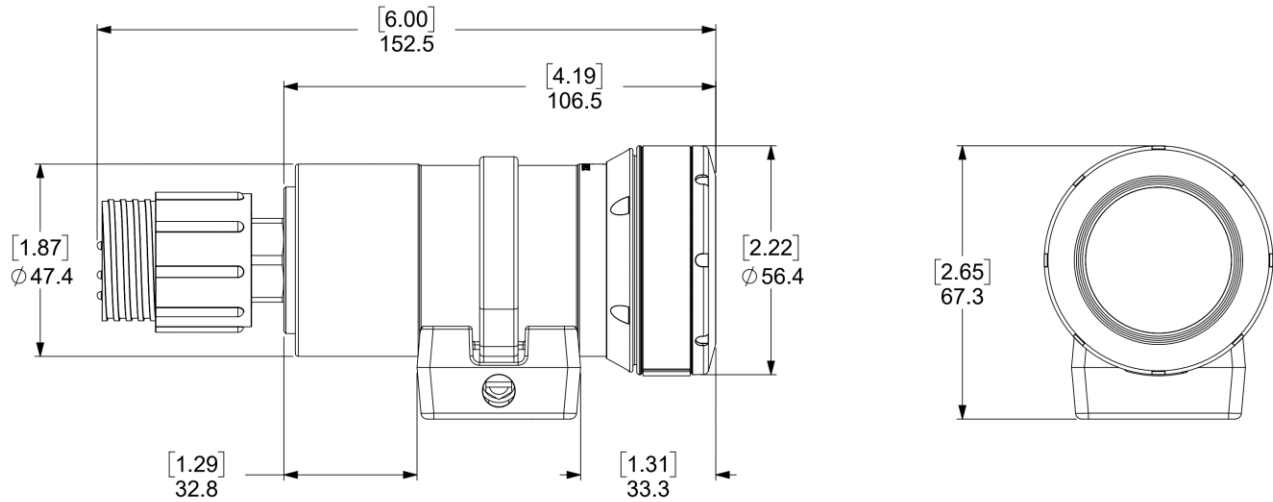
Power Options



6 km Depth Rating,
11 km Options

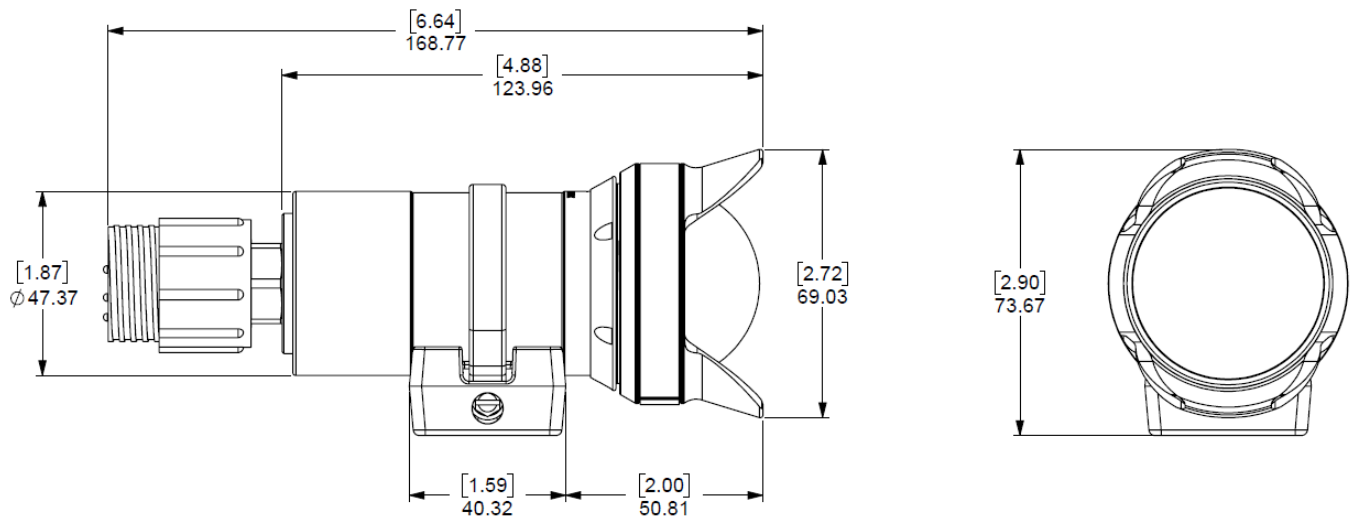
Dimensions

HDMSC-SAPPHIRE FLAT PORT



[inch]
mm

HDMSC- GLASS DOME PORT



mm
[inch]

- Mounting Options: Metric M6 Saddle & Imperial 1/4-20 Saddle