



Product Change Notice Nano SeaCam Housing Length

October 26, 2023

4033 Ruffin Road
San Diego, California USA 92123
Sales: sales@deepsea.com
Repair: rma@deepsea.com
+1-800-ITS-DSPL (487-3775)
+1-858-576-1261

| PCN Type | Issue Date |
|----------------------|------------------|
| General Notification | October 26, 2023 |

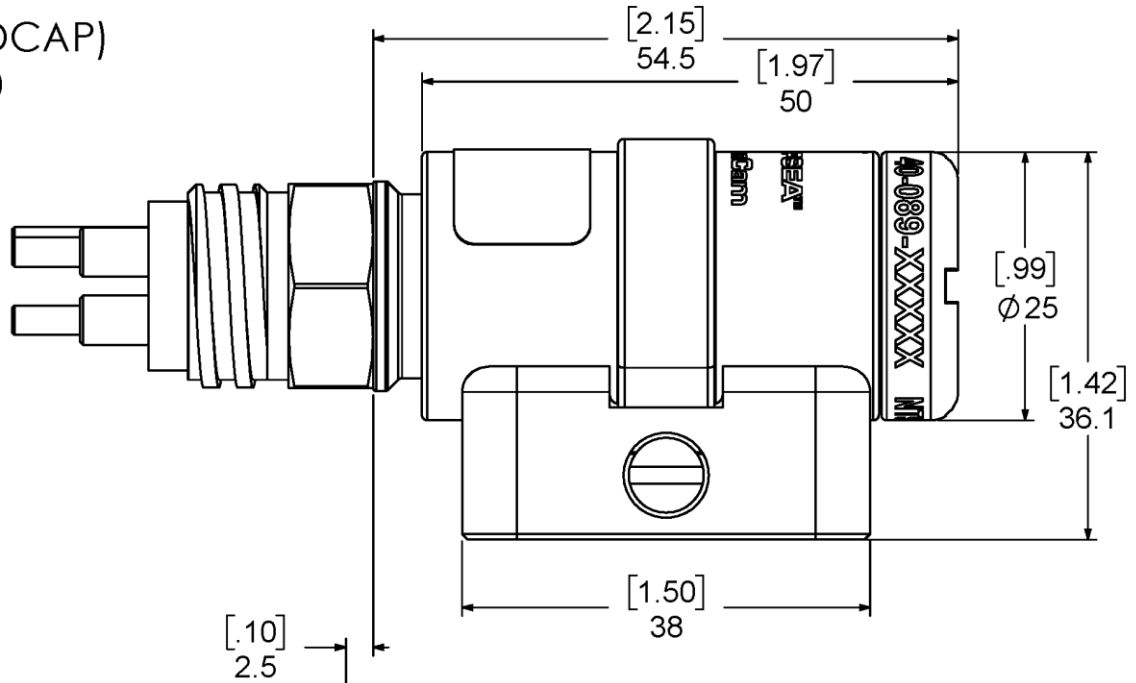
DeepSea will be changing the length on the housing for the Nano SeaCam. The length of the Nano SeaCam will increase from the front to the endcap seat by 0.100" (2.5 mm). The included dimensional drawing of the old and new NSC-2060 shows the increase in length.

Reason for Change

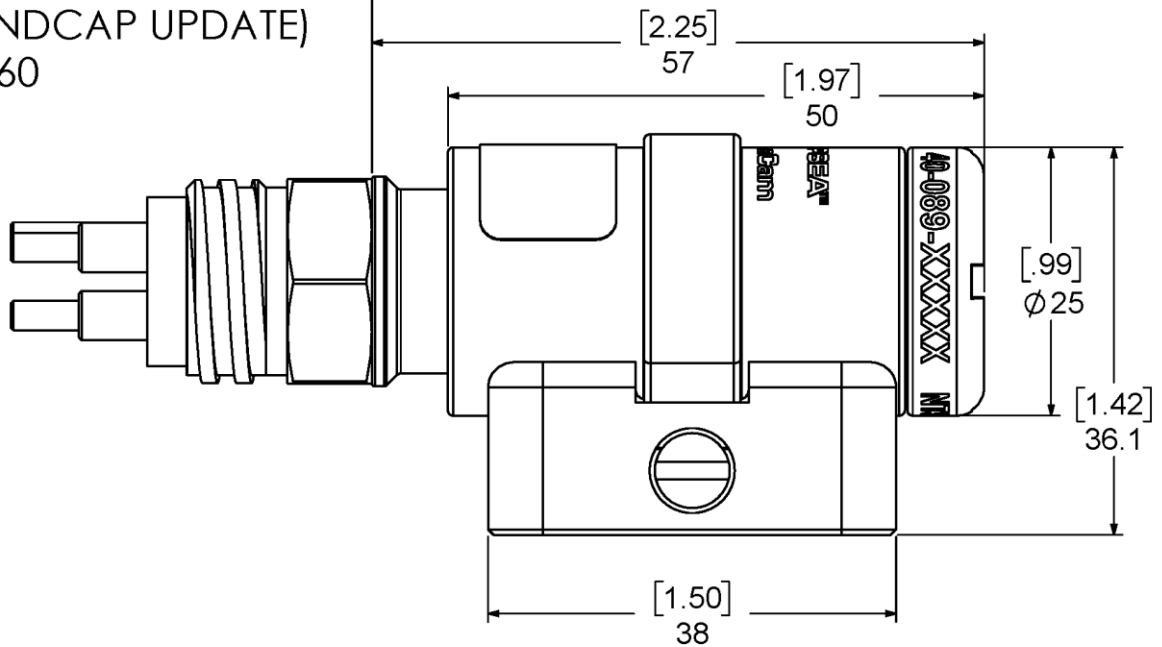
Since their introduction, the Nano SeaCam and Nano SeaLite products have had a 0.100" (2.5 mm) difference in the overall length of their respective housings. This difference in length is the result of the endcap geometry between the two products. In an effort to standardize parts across its product families, DeepSea is updating the Nano SeaCam housing design to use the same endcap geometry as the Nano SeaLite.

Nano SeaCam Product Change Notice

OLD (ENDCAP)
NSC-2060



NEW (ENDCAP UPDATE)
NSC-2060



1. Housing and Bracket dimensions unchanged.
2. Endcap overall length extending 2.5mm [.100"]