



## Product Change Notice Nano SeaCam Housing Length

September 25, 2023

4033 Ruffin Road  
San Diego, California USA 92123  
**Sales:** [sales@deepsea.com](mailto:sales@deepsea.com)  
**Repair:** [rma@deepsea.com](mailto:rma@deepsea.com)  
+1-800-ITS-DSPL (487-3775)  
+1-858-576-1261

Dear DeepSea Representative,

Since their introduction, the Nano SeaCam and Nano SeaLite products have had a 0.100" (2.5 mm) difference in the overall length of their respective housings. This difference in length is the result of the endcap geometry between the two products.

In an effort to standardize parts across our product families, DeepSea is updating the Nano SeaCam housing design to use the same endcap geometry as the Nano SeaLite.

The result of this change is that the length of the Nano SeaCam will increase from the front to the endcap seat by 0.100" (2.5 mm). The included dimensional drawing of the old and new NSC-2060 shows the increase in length.

This increase in overall length affects 6km-rated Nano SeaCam configurations using MCBH and BH-style connectors regardless of manufacturer. It does not impact models which are fitted with CSMS-A-J-type connectors or those which are rated for 11km operation.

For those models which will have the increased length, there is no impact to performance or functionality.

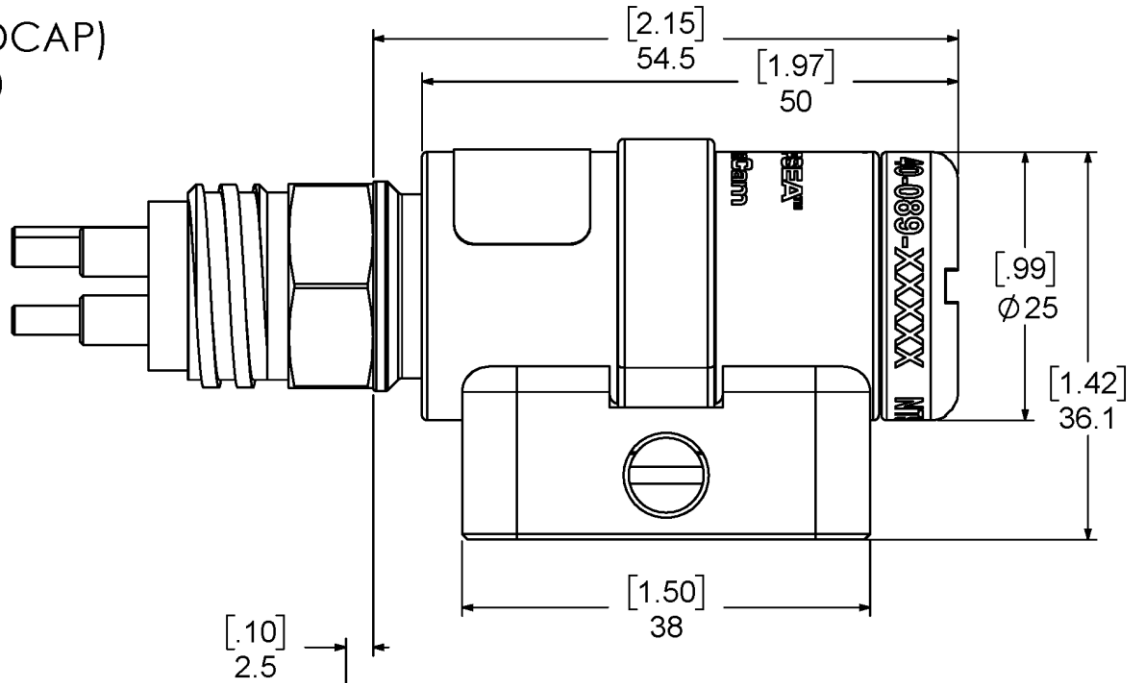
If you have any questions, please do not hesitate to reach out.

Best Regards,

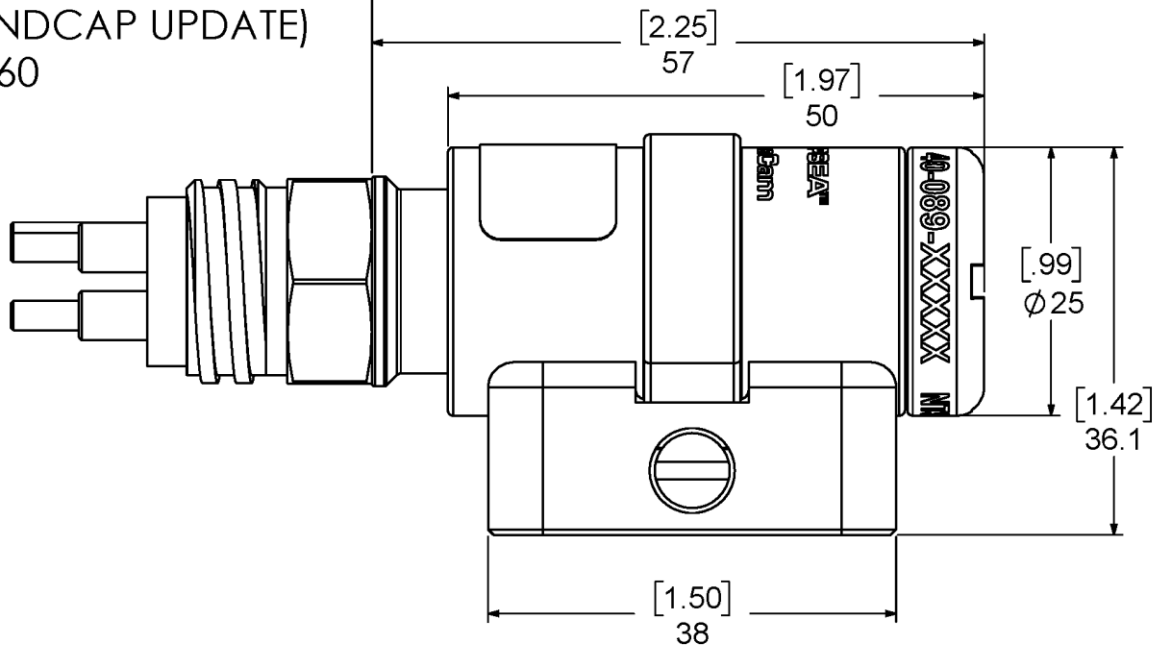
DeepSea Sales Team

# Nano SeaCam Product Change Notice

OLD (ENDCAP)  
NSC-2060



NEW (ENDCAP UPDATE)  
NSC-2060



1. Housing and Bracket dimensions unchanged.
2. Endcap overall length extending 2.5mm [.100"]