



Wide-i SeaCam®

The Wide-i SeaCam wide field of view context tooling cameras feature a flat port with 125° HFOV in water. Coming standard with a titanium housing and robust borosilicate glass port, the Wide-i family of cameras provides unparalleled wide-angle views and situational awareness.

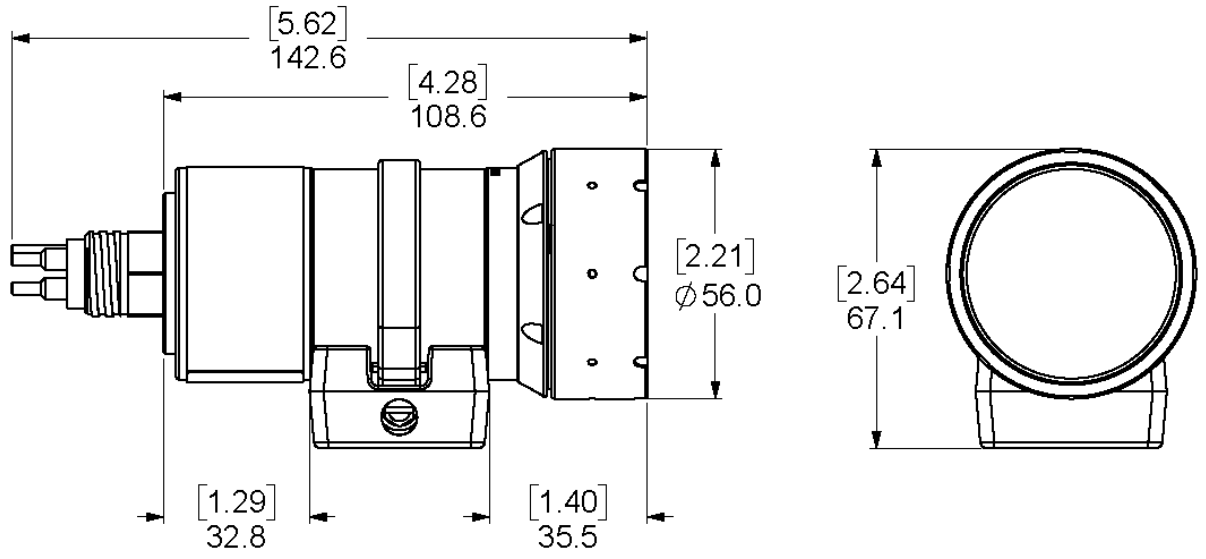
Specifications

	WSC-4070	WSC-3070
<i>Lens</i>	1.96 mm F/1.8 with IR filter	
<i>Field of View</i>	125° Horizontal	
<i>Focus</i>	Fixed, optimized for water	
<i>Image Sensor</i>	1/3.2" 1.27MP CMOS	
<i>Scene Illumination</i>	1.7 Lux	
<i>Signal to Noise</i>	50 dB	
<i>Video Output</i>	Composite, 1.0 Vp-p 75 ohm, unbalanced	
<i>Video Format</i>	NTSC/PAL Color	NTSC/PAL B&W
<i>Power</i>	10-36 VDC, 1.8W max	
<i>Operational Temp</i>	-10 °C to 40 °C [-14 °F to 104 °F]	
<i>Storage Temp</i>	-30 °C to 70 °C [-22 °F to 158 °F]	
<i>Housing</i>	Titanium, Glass Flat Port	
<i>Depth</i>	6000 m	
<i>Weight</i>	Air: 490 g [1.1 lbs.] Water: 250 g [0.55 lbs.]	
<i>Standard Connector</i>	SubConn MCBH 4-Pin Male Stainless Steel	

Key Features



Dimensions



[inch]
mm