

**DEEPPSEA**  
Power & Light®



# IP Optim™ SeaCam®



Patents Pending

## FEATURES

**4K UHD real-time IP streaming protocols**

**Days of continuous onboard 4K recording**

**NTSC/PAL analog video monitor output**

**78° horizontal FOV at full wide**

**Proprietary Corrector Optics**

**15.5x Optical Zoom**

**Titanium housing depth rated to 6km, 11km option**

4033 Ruffin Road  
San Diego, CA  
92123-1817 USA

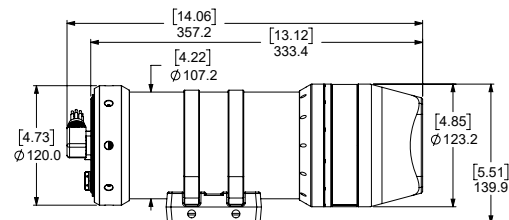
T: 1-800-ITS-DSPL (487-3775)  
858-576-1261  
F: 858-576-0219

[www.deepsea.com](http://www.deepsea.com)  
[sales@deepsea.com](mailto:sales@deepsea.com)

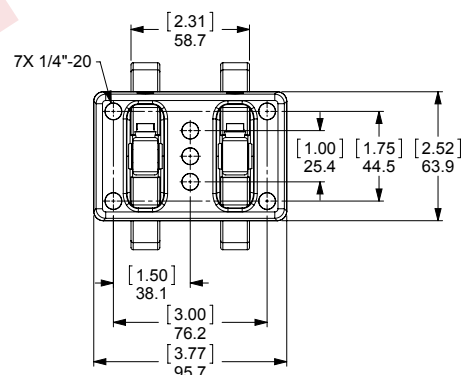
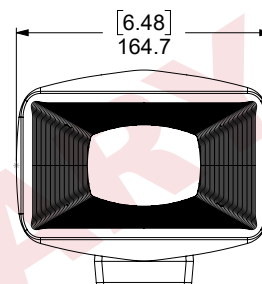


# IP Optim™ SeaCam®

IPOSC-2080	
<b>Optical Specifications</b>	
Lens	5.7 mm to 88.4 mm, F/2.0 to F/3.8
Optical Zoom	15.5x
Lossless Digital Zoom <sup>1</sup>	1.5x, 24x Combined
Digital Zoom	12x, 240x Combined
Focus	Wide: 50 mm ~ Infinity Tele: 350 mm ~ Infinity
FOV in Water	Wide: 86° D x 78° H x 48° V
<b>Video Specifications</b>	
Image Sensor	1/2.5" CMOS Progressive Scan
Scene Illumination	1.2 Lux (50 IRE)
Faceplate Illumination	0.35 Lux (50 IRE)
Maximum Video Resolution	3840 x 2160
<b>Interface Specifications</b>	
Supported Protocols	RTP, RTSP, RTMP, MPEG-2TS
Video Compression	HEVC (h.265), h.264, MJPG
Bit Rate	5 Mbps (20 Mbps max)
Benchmark Latency	594ms <sup>2</sup>
Optimized Latency	~310 ms
Max Frame Rate	30 FPS
Integrated Recording	4K UHD MPEG Video
Onboard Memory	256 GB (1 TB option)
Configuration Settings	Browser (Chrome, Firefox, IE), ONVIF Profile S
<b>Environmental Specifications</b>	
Depth Rating	6,000 m (11,000 m option)
Operational Temperature	-5 °C to 40 °C [23 °F to 104 °F]
Storage Temperature	-10° C to 60° C [14° F to 140° F]
<b>Electrical Specifications</b>	
Voltage	10~36 VDC
Power	12W max
Serial Protocol	VISCA (over TCP/IP)
<b>Mechanical Specifications</b>	
Housing	6Al-4V Titanium
Port	Optical Glass Dome
Outer Diameter	107.2 mm [4.22 in]
Overall Length (Without Connector)	333.4 mm [13.12 in]
Weight in Air	6.85 kg [15.1 lb]
Weight in Water	2.73 kg [6.02 lb]
<b>Connector</b>	
Ethernet	SubConn DBH13M Please contact Sales for more options.



[inch]  
mm



<sup>1</sup> Lossless Digital Zoom uses a crop factor on the high resolution sensor to magnify the image, and does not limit the full-scale resolution. Lossless Digital Zoom is available in HD resolution modes only.

<sup>2</sup> Benchmark latency streamed with VLC, 50 ms buffer.