



## Super Wide-i SeaCam®



The Super Wide-i SeaCam is a context tooling camera with an impressive 150° HFOV in water for unparalleled fish-eye views — with no vignetting. The standard model features a dome port and has a 6,000 m depth rating. Options include an 11,000 m depth rating and a titanium housing. The Super Wide-i SeaCam includes a mounting bracket with titanium inserts.

### Specifications

	SWSC 3070	SWSC 4070
<i>Lens</i>	1.4 mm, F/2.2	
<i>Focus</i>	Fixed	
<i>Field of View (Water)</i>	150° H x 120° V	
<i>Image Sensor</i>	1/3.2" 1.3 MP CMOS Rolling Shutter	
<i>Sensor Resolution</i>	600 TVL	
<i>Faceplate Illumination</i>	0.5 Lux F/2.2	0.5 Lux F/2.2
<i>Signal to Noise</i>	50 dB	
<i>Video Output</i>	Composite, 1.0 Vp-p 75 ohm, unbalanced	
<i>Video Format</i>	NTSC/PAL B&W	NTSC/PAL Color
<i>Operational Temp</i>	-10 °C to 40 °C [-14 °F to 104 °F]	
<i>Storage Temp</i>	-30 °C to 70 °C [-22 °F to 158 °F]	
<i>Power</i>	10-36 VDC, 0.93W max	
<i>Current</i>	0.039A at 24VDC	
<i>Housing</i>	Titanium, Glass Dome Port	
<i>Depth Rating</i>	6,000 m, 11,000 m option	
<i>Weight in Air</i>	0.49 kg [1.07 lbs.]	
<i>Weight in Water</i>	0.26 kg [0.57 lbs.]	
<i>Default Connector</i>	SUBH4MS SubConn BH4MP 4-Pin Male Stainless Steel <sup>1</sup>	
<i>Default Pinout</i>	P1: DC-, P2: DC+, P3: Analog Video, P4: N/C	

### Key Features



Extreme Wide Angle



150° HVOV



Vignetting Free



Composite Video Output



Optically Polished Glass Port

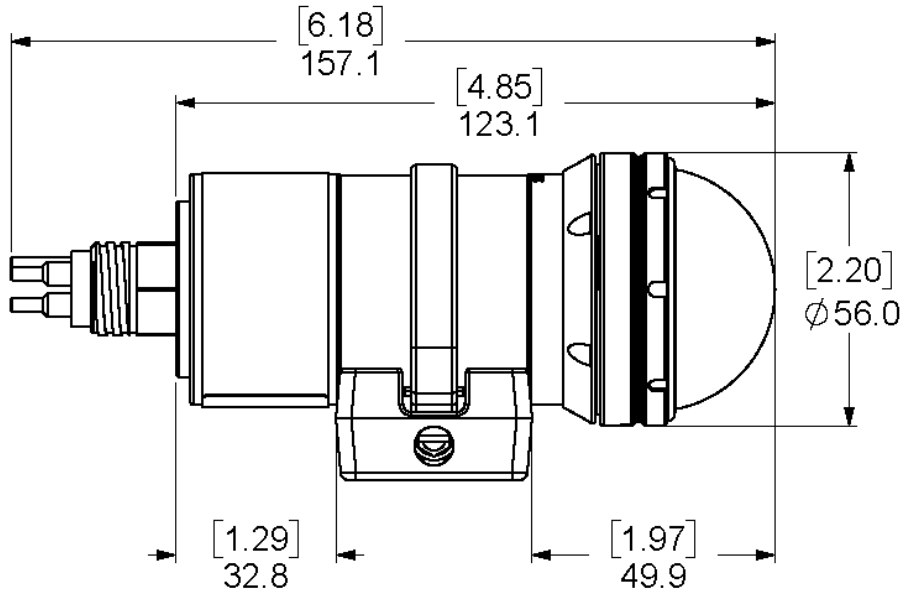


6 km Depth Rating, 11 km Option

<sup>1</sup> Other connector options and brands available. Contact DeepSea Sales for specific inquiries.

# Dimensions

SWSC 3070 & 4070



[inch]  
mm

