



# Multi SeaCam<sup>®</sup>



HOUSING MATERIAL  
OPTIONS



STANDARD  
CONNECTOR



NTSC & PAL ANALOG  
OUTPUTS



SCRATCH-RESISTANT  
SAPPHIRE PORT



UP TO 6 KM DEPTH  
RATING



COLOR  
OPTIONS

## Reliability with a Range of Configurations

### Dependable imaging with minimal infrastructure

The reliable Multi SeaCam is an analog camera for subsea operations with a range of configuration options. This camera features a sapphire port and standard titanium housing with a 6,000 m depth rating. The Multi SeaCam includes a mounting bracket with titanium inserts. The LED Multi SeaCam<sup>®</sup> offers similar capabilities with integrated LED lights.

*Specifications subject to change without notice*



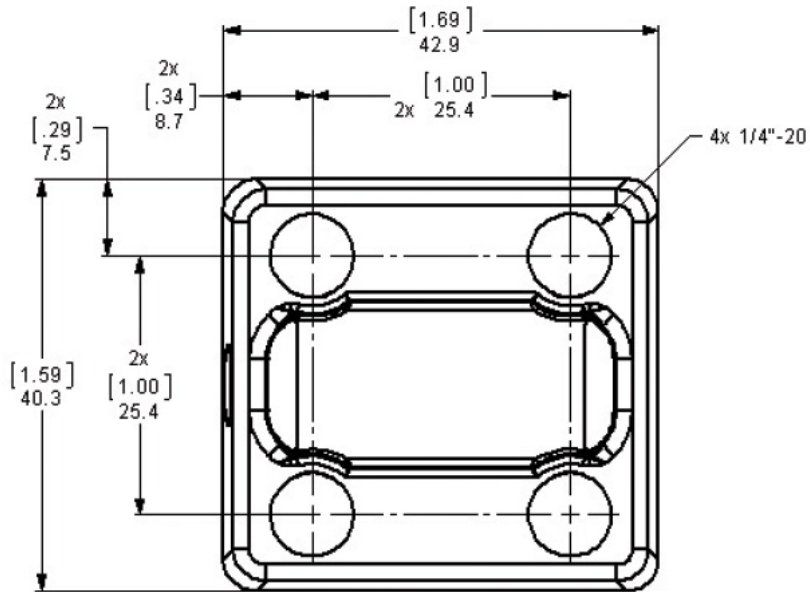
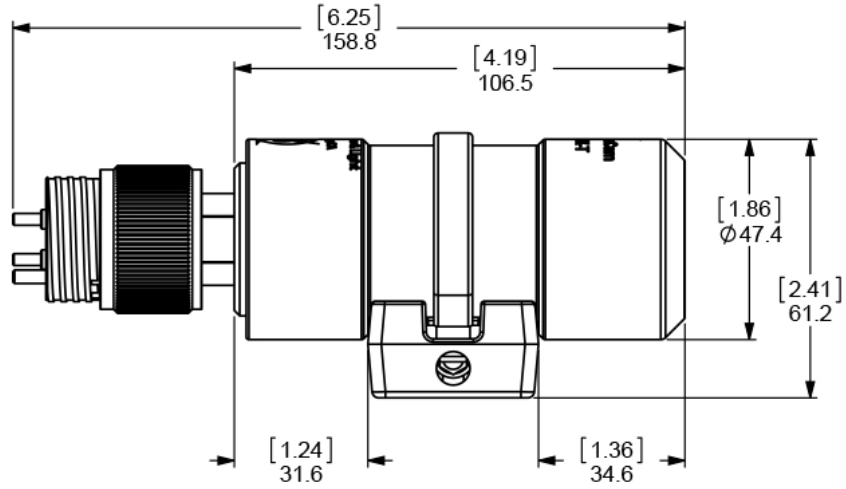
For further information, email  
[sales@deepsea.com](mailto:sales@deepsea.com)



## Specifications

MSC-	1070	2070
<b>Optical Specifications</b>		
Lens	3.0 mm, f/2.0	
Focus	Fixed	
Depth of Field	10 cm [4 in.] to infinity	
FOV in Air	86° H x 63° V x 95° D	
FOV in Water	64° H x 45.5° V x 74° D	
<b>Video Specifications</b>		
Image Sensor	1/3.2" CMOS image sensor	
Number of Pixels	1280 H x 486 V (NTSC) 1211 H x 576 V (PAL)	
Sensor Resolution	600 TV+ lines horizontal	600 TV lines horizontal
Scene Illumination	0.59 Lux at f/2.0	
Signal to Noise	50 dB	
Video Output	1.0 volt peak-to-peak into 75 ohm	
Video Format	NTSC/PAL B&W	NTSC/PAL Color
<b>Environmental Specifications</b>		
Depth Rating	Delrin: 300 m Titanium: 6,000 m	
Operating Temp	-20 °C to 40 °C [-4 °F to 104 °F]	
Storage Temp	-30 °C to 70 °C [-22 °F to 158 °F]	
<b>Mechanical Specifications</b>		
Housing	Delrin or Titanium	
Port	Sapphire	
Weight in Air	Delrin: 296 g [10.5 oz.] Titanium: 459 g [16 oz.]	
Weight in Water	Delrin: 56 g [2 oz.] Titanium: 112 g [4 oz.]	
<b>Electrical Specifications</b>		
Voltage	10~36 VDC	
Power	0.93 W Max	
<b>Accessory</b>		
UV Cutout Filter	UV cutout filter for use with UV LED SeaLite (may reduce Field of View)	
<b>Connectors</b>		
Standard Connector	SubConn MCBH4M <i>Contact Sales for more options</i>	SubConn BH4MP <i>Contact Sales for more options</i>

# Dimensions



[inch]  
mm