



Nano SeaCam[®]



620 TVL
RESOLUTION



ULTRA COMPACT
CAMERA



CUSTOM
CORRECTOR OPTICS



NTSC & PAL
ANALOG OUTPUTS



OPTICALLY
POLISHED GLASS



UP TO 11 KM
DEPTH RATING

Ultra-Compact Size for Easy Integration

Lightweight and ideal for confined, small spaces

The Nano SeaCam is our compact, high resolution analog camera at 620 TVL. Divers and inspection class ROVs use this subsea camera for its size and weight.

The Nano SeaCam features titanium housing and a sapphire port. An optional 11,000 m depth rating is available.

Specifications subject to change without notice



For further information, email
sales@deepsea.com

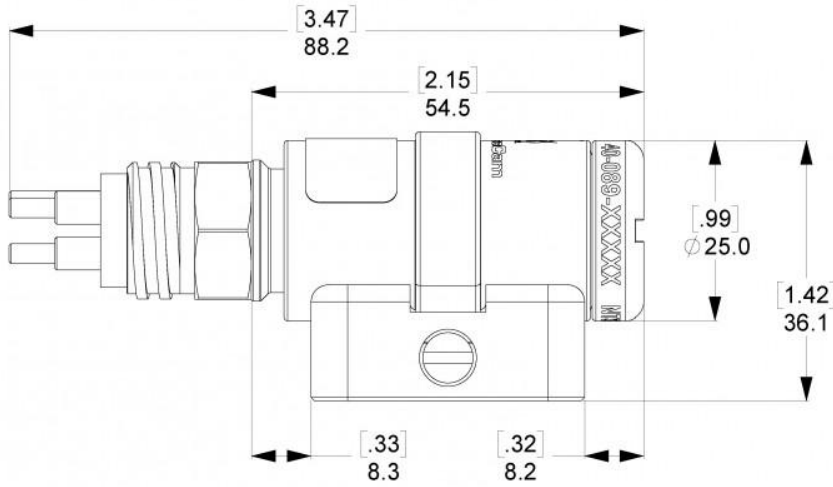


Specifications

NSC-T	
Optical Specifications	
Lens	2.54 mm, F/3.5
Focus	Fixed
Near Focus	100 mm
Depth of Field	75 mm [3.0 in] to infinity
FOV in Air	80° H x 60° V x 102° D
FOV in Water	Wide: 59° H x 44° V x 72° D
Video Specifications	
Image Sensor	1/3 inch SONY color CCD II 410K
Sensor Resolution	NTSC: 768 H x 494 V PAL: 752 H x 528 V
Measured Resolution	600 TVL
Faceplate Illumination	0.04 Lux
Signal to Noise	> 50 dB
Video Output	Composite 1.0Vp-p 75ohm unbalanced
Video Format	NTSC or PAL
Environmental Specifications	
Depth Rating	6,000 m standard 11,000 m optional
Operating Temp	-10° C to 50° C [14° F to 122° F]
Storage Temp	-30° C to 70° C [-22° F to 158° F]
Mechanical Specifications	
Housing	6Al-4V Titanium
Port	Optically polished sapphire
Weight in Air	130 g [4.6 oz] : 6,000 m depth rating 170 g [6.0 oz] : 11,000 m depth rating
Weight in Water	90 g [3.2 oz] : 6,000 m depth rating 100 g [3.5 oz] : 11,000 m depth rating
Electrical Specifications	
Voltage	7~32 VDC
Power	2 W Max
Connector	
Standard Connector	SubConn MCBHM4/SS <i>Contact Sales for more options</i>

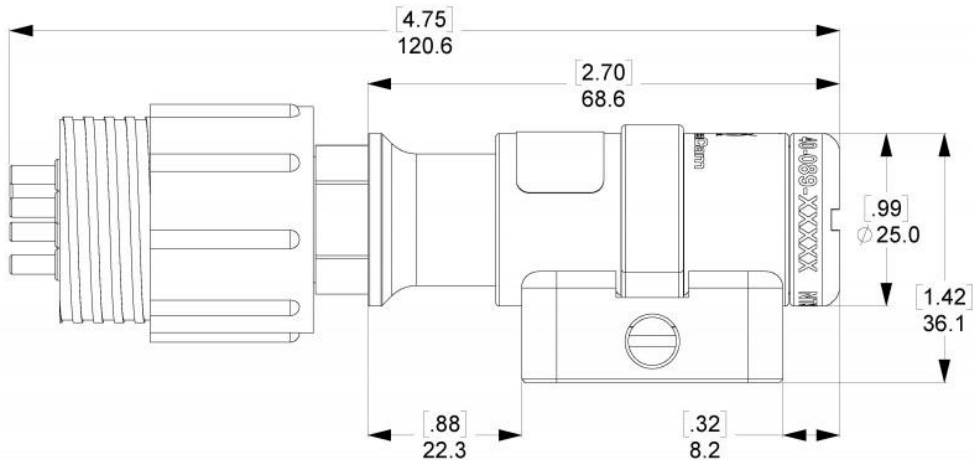
Dimensions

6,000 m Depth Rating



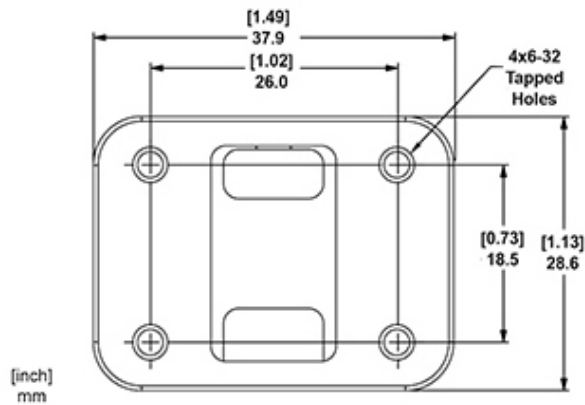
[inch]
mm

11,000 m Depth Rating



[inch]
mm

Bracket



[inch]
mm