



Nano SeaLite[®]



UP TO 700 LUMENS



70° FLOOD BEAM ANGLE



COLOR OPTIONS



UP TO 11 KM DEPTH RATING



ULTRA COMPACT & LIGHTWEIGHT



10-36 VDC INPUT POWER

Ultra-Compact and Lightweight

Our smallest light ideal for confined, small spaces

The Nano SeaLite is our smallest light and emits up to 700 lumens. This LED light comes in a titanium housing and has an optional 11,000 m depth rating. Divers and inspection class ROVs use this subsea light for its size and weight. The Nano SeaLite includes a mounting bracket and can be paired with the Nano SeaCam on a dual mounting bracket.

Specifications subject to change without notice



For further information, email sales@deepsea.com

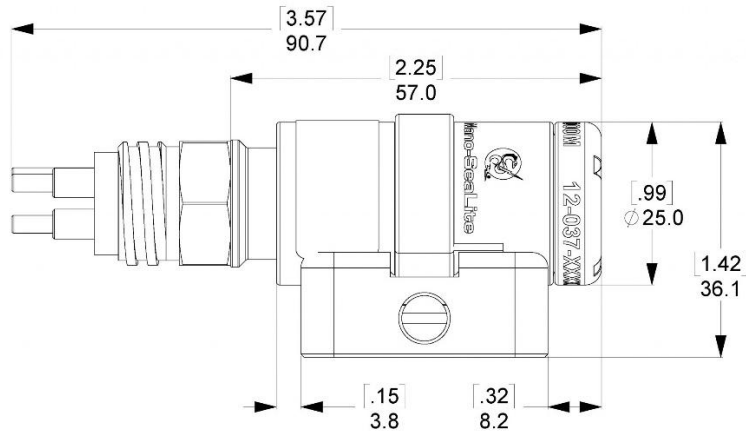


Specifications

Nano SeaLite	
Optical	
Typical Lumens Output	700
Standard Colors	Daylight White 5000 K – 6500 K Other options available
Flood Beam Angle	70°
Environmental	
Depth Rating	6,000 m standard 11,000 m optional ¹ Contact sales for 11,000 m depth rated connector options.
Operational Temperature	-10° C to 50° C (14° F to 122° F)
Electrical	
Voltage	10~36 VDC
Power	14 W
Mechanical	
Housing	Titanium 6Al-4V
Port	Sapphire
Outer Diameter	25 mm (0.99 in)
Overall Length without connector	54.5 mm [2.15 in] : 6,000 m depth rating 68.6 mm [2.70 in] : 11,000 m depth rating
Weight in Air	140 g [4.9 oz] : 6,000 m depth rating 160 g [5.6 oz] : 11,000 m depth rating
Weight in Water	100 g [3.5 oz] : 6,000 m depth rating 47 g [1.7 oz] : 11,000 m depth rating
Connector	
Standard Connector	SubConn MCBHM4/SS <i>Contact Sales for more options</i>

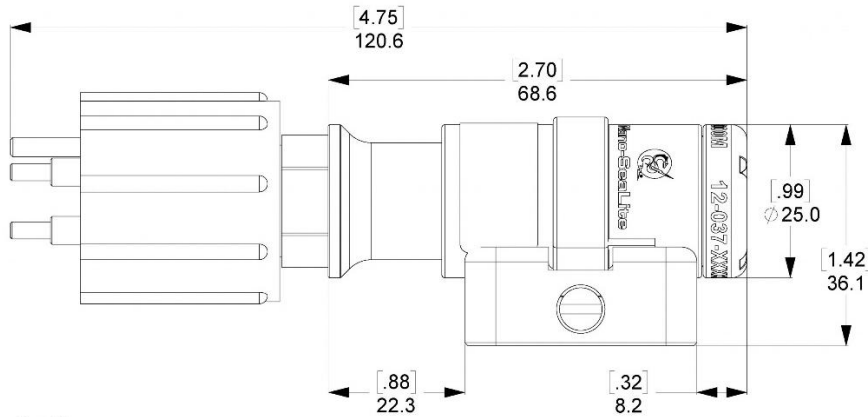
Dimensions

6,000 m Depth Rating



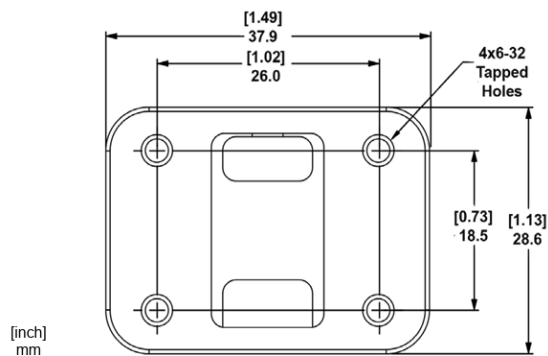
[inch]
mm

6,000 m Depth Rating



[inch]
mm

Bracket



[inch]
mm